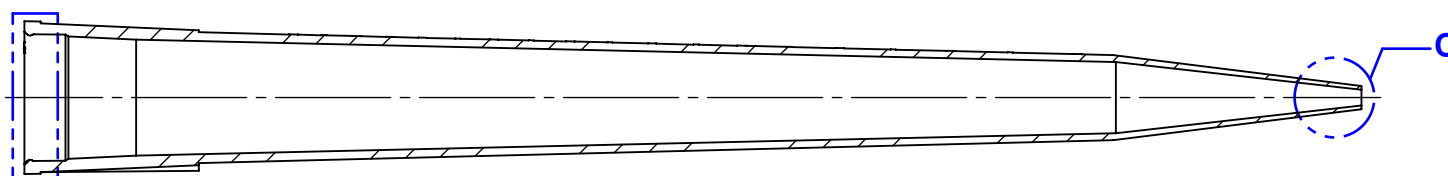
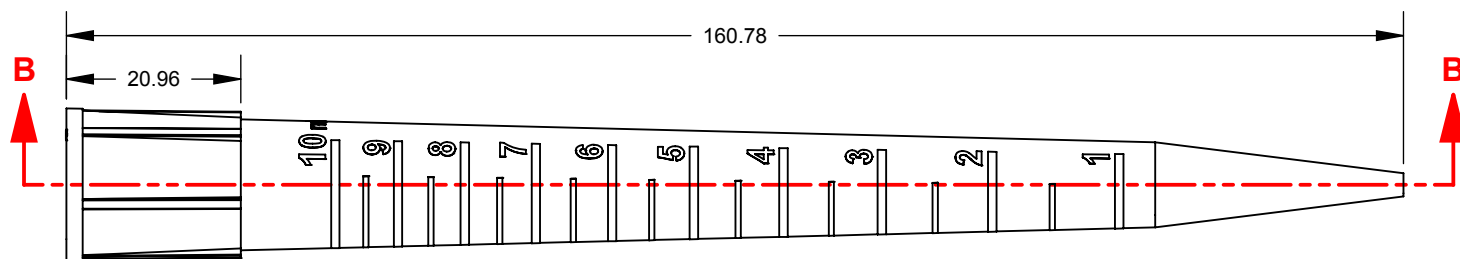
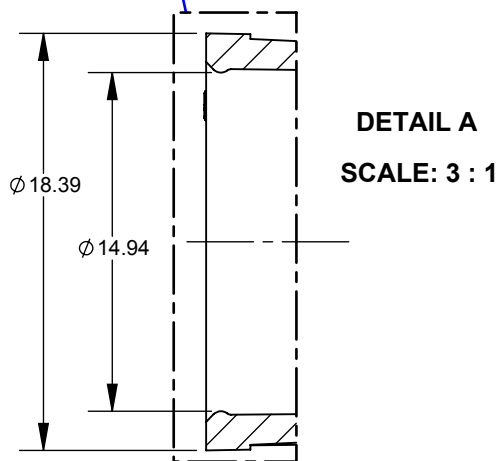




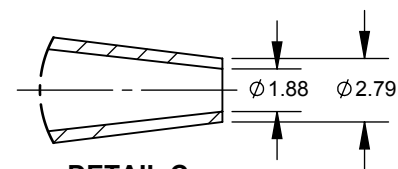
westburg
LIFE SCIENCES



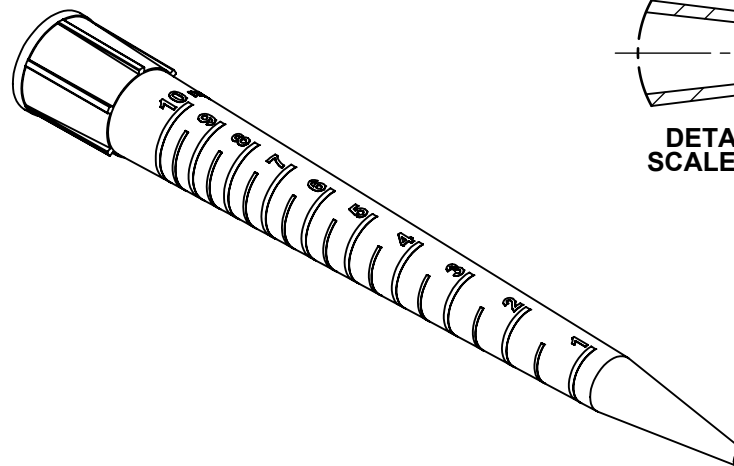
SECTION B-B
SCALE: 1.1 : 1



DETAIL A
SCALE: 3 : 1



DETAIL C
SCALE: 3 : 1



WB 5190 & WB 5195 (Sterile) & WB 5590 10mL Pipette Tip Gilson/Eppendorf-Fit

Arnhemseweg 87
3832 GK Leusden
The Netherlands

P.O. Box 214
3830 AE Leusden
The Netherlands

+31 33 495 0094
info@westburg.eu
www.westburg.eu

IBAN NL78RABO0168460297
NL005049532B01
KvK 31024246

